

# DIMAX MaxiTap™ Connector Quad Connector

Designed and Manufactured to AS/NZS 2280



## RANGE OVERVIEW

Four (Quad) outlet option

DR brass plugs to allow use of 1, 2, 3 or 4 ports

Brass Bush and Plugs available in 3/4" and 1" plugs options eliminating the need for drilling and tapping on-site

Unused outlets are fitted with removable DR Brass Plug

Allows for complete installation of household services at the time of pipeline construction

Avoids the need for future disturbances of the main and its environment therefore eliminating the risk of pipeline damage

Avoids inefficient and costly excavation of pipeline to connect household services after installation

Avoids the undesirable practice of drilling holes in new pipes

Ductile Iron fitting for high strength and impact resistance

Thermal bonded polymeric coating to AS/NZS 4158

Utilises TYTON® or TYTONLOK jointing system

## DESCRIPTION

DIMAX MaxiTap™ Connectors are fully encapsulated (inside & out) in a fusion bond epoxy coating allowing for maximum corrosion protection in all soil types whilst safely conveying potable water to households.

In full compliance with the latest version of AS2280, MaxiTap™ Connector tapping points are easily exchangeable DR Brass inserts allowing for multiple thread sizes whilst ensuring the Ductile Iron body coating remains completely intact and is not compromised by thread cutting from the manufacturer.

The DR Brass inserts are also sold separately to allow for stocking of one body and multiple inserts which can then be quickly adapted to suit any particular site requirements.

## GENERAL APPLICATION

The MaxiTap™ system provides for complete installation of house services at the time of pipeline construction minimising the need for future drilling and tapping.

## TECHNICAL DATA

### Size Range

DN 100 & DN 150

### Offtakes

3/4" and 1"

### Allowable Operating Pressure

1600 kpa

### Maximum Temperature

Max design temperature = 70°C  
AS4020 Temperature = 40°C

### End Connections

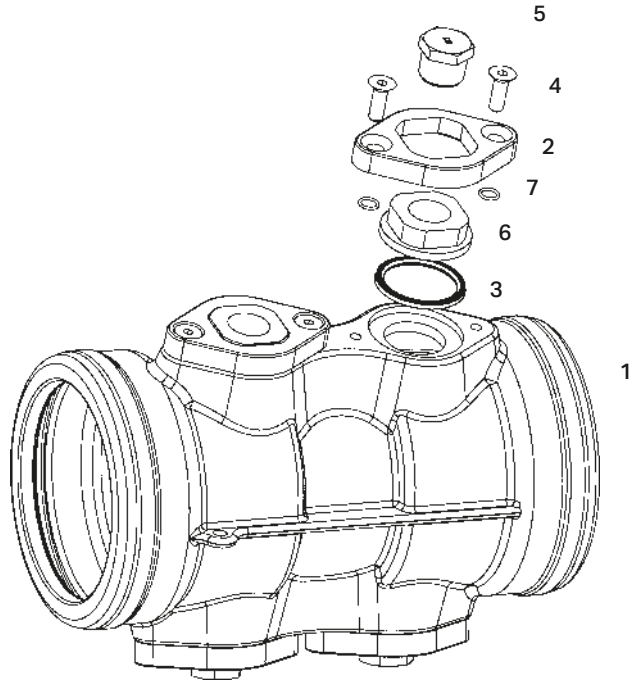
TYTON® Socket

### Coating

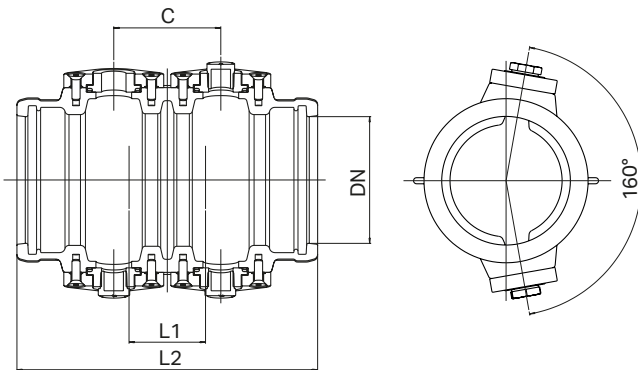
Fusion Bonded Polymeric  
Coating to AS4158

# DIMAX MaxiTap™ Connector Quad Connector

Designed and Manufactured to AS/NZS 2280



Item	Description	Qty	Material
1	DN100 DIMAX TAPPED CONNECTOR	1	SGI AS1831-400/15
2	DI TOP PLATE-FUSION COATED	4	SGI AS1831-400/15
3	BRONZE BUSH GASKET	4	EPDM AS1646/70-75 DURO
4	COUNTERSUNK CAP SCREW	8	SS ASTM A276-316
5	BRASS PLUG	3	DZR AS1567-C35200
6	TAPPED BRONZE BUSH	4	LGM AS1565-C83600
7	O RING	8	AS1646 - NBR - BS 012



Nominal Size	Dimensions			Outlet Size *		No. of Outlets	Weight
	L1	L2	C	Imperial	Metric		
100	75	295	105	¾"	20 mm	4	9.5 kg
100	75	295	105	1"	25 mm	4	9.5 kg
150	75	315	105	¾"	20mm	4	14 kg
150	75	315	105	1"	20mm	4	14 kg

\* Brass Bush and DR Plug kits available to interchange between ¾" and 1" offtakes if required.

## DISCLAIMER

All trademarks and logos are owned by The Reece Group. The words TYTON®, TYTON-LOK® and TYTON JOINT® are United States Pipe and Foundry Co. Inc. trademarks and are registered as such in the United States Patent Office and some 45 other countries. Viadux is an exclusively authorised and licensed user of these trademarks within Australia and New Zealand. All other brand or product names are trademarks or registered marks of their respective owners. Because we are continuously improving our products and services, The Reece Group reserves the right to change specifications without prior notice.

Call 1800 032 566 or visit [www.reece.com.au/storefinder](http://www.reece.com.au/storefinder) for your nearest branch.

## CERTIFICATIONS

AS/NZS 2280 – Ductile Iron Pipe & Fittings

Licence No. WMK26703 | SMK26703

AS/NZS 4020 – Tested for use in contact with drinking water

